

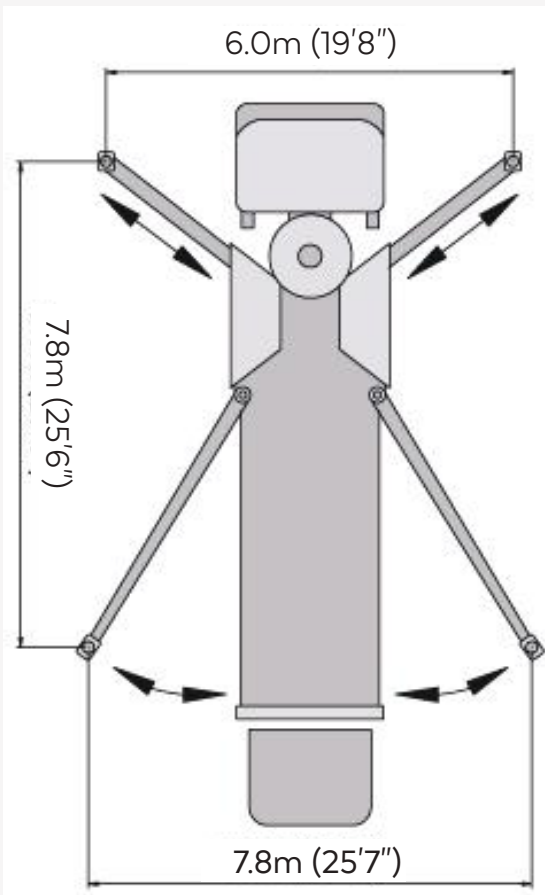


# CHASSIS

MAKE/MODEL	FRONT AXLE	REAR AXLE	OVERALL LENGTH	TOTAL WEIGHT
<b>LARGE CONVENTIONAL</b>	18,300 lbs	43,800 lbs	39'2" / 11.94m	62,100 lbs
<b>CAB OVER</b>	19,900 lbs	40,500 lbs	36'10" / 11.25m	60,400 lbs

# DIAGRAMS

## OUTRIGGER EXTENSION



## BOOM PUMP REACH

