

57M



JXRZ 57-5.20

GENERAL

PIPE SIZE (ID)	125 mm (5")
BOOM CONTROL VALVE	Proportional (by HAWE)
RADIO REMOTE	Dual Wireless Transmitter System
VIBRATOR	Standard
WATER PUMP	Hydraulic Power 20 bar (290 psi)
WATER TANK	800 L (211 G)
WEAR PARTS	Carbide
POPULAR UPGRADES [†]	<ul style="list-style-type: none"> • LED Boom Light Kit • LED Outrigger Lights • Heated Water Tank • Heated Hydraulic Tank • Air-Cuff • Twin Wall Pipe • 20 Cell Pump Kit

BOOM

NUMBER OF BOOMS	5 Sections
FOLDING TYPE	RZ Fold
VERTICAL HEIGHT	56.2 m (184'5")
HORIZONTAL REACH	51.2m (168')
UNFOLDING HEIGHT	14.8 m (48'7")
1ST SECTION	11.1 m (36'5")
2ND SECTION	8.5 m (27'11")
3RD SECTION	9.0 m (29'6")
4TH SECTION	11.6 m (38'1")
5TH SECTION	12.0m (39'4")
OUTRIGGER	X-Style
FRONT SPREAD	9.3 m (30'6")
REAR SPREAD	12.5 m (41')

[†]More options available, ask your sales rep for details.

PUMP

OUTPUT:	Rod Side	181 m³/h (235 yd³/h)
	Piston Side	122 m³/h (159 yd³/h)
PRESSURE:	Rod Side	85 bar (1233 psi)
	Piston Side	130[†] bar (1886 psi)
CONCRETE CYLINDER DIAMETER	230 mm (9")	
CONCRETE CYLINDER TYPE	Hard Chromed	
STROKE LENGTH	2100 mm (83")	
S-TUBE SIZE	9" x 7"	
MAIN OIL PUMP	Twin Rexroth Hydromatic A20VLO190	
HYDRAULIC SYSTEM PRESSURE	350 bar (5076 psi)	
LUBE SYSTEM (HOPPER)	Automatic	
SWITCHING SYSTEM	Hydraulic	
HOPPER CAPACITY	Easy Clean 600 L (158 G)	
NUMBER OF STROKES/MIN	34	
OUTPUT CONTROL RANGE	20(26)-181m³/h (235yd³h)	

[†]Not to be used through boom pipe

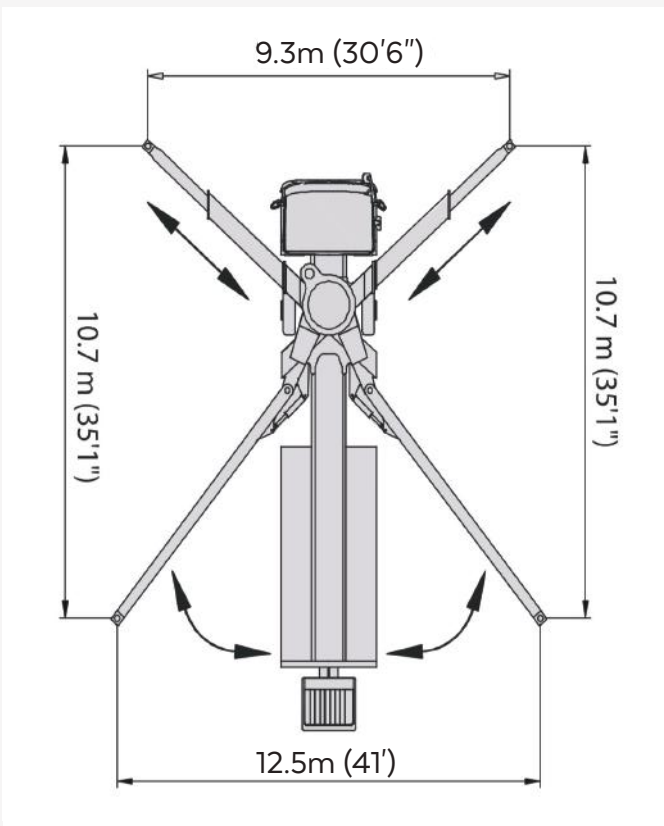
Alliance Concrete Pumps Inc. reserves the right to make changes to all specifications

CHASSIS

MAKE/MODEL	FRONT AXLE	REAR AXLE	OVERALL LENGTH	TOTAL WEIGHT
CAB OVER	52,800 lbs	49,200 lbs	46'10" / 14.3m	102,000 lbs
LARGE CONVENTIONAL	46,350 lbs	54,750 lbs	50'2" / 15.3m	101,100 lbs

DIAGRAMS

OUTRIGGER EXTENSION



BOOM PUMP REACH

